

Sample Exam A
ISTQB® Foundation Level
2018 Syllabus

Released Version 2018

International Software Testing Qualifications Board



Release Date: June 4, 2018

Copyright Notice

This document may be copied in its entirety, or extracts made, if the source is acknowledged.

Copyright © 2018 International Software Testing Qualifications Board (hereinafter called ISTQB™). All rights reserved.

The authors transfer the copyright to the International Software Testing Qualifications Board (hereinafter called ISTQB™). The authors (as current copyright holders) and ISTQB™ (as the future copyright holder) have agreed to the following condition of use:
Any ISTQB™ Member Board may translate this document.

Exam Working Group: 2010 – 2018

Revision History

Version	Date	Remarks
1.0	May 11, 2018	First issue
1.1	May 11, 2018	Spelling error corrected
Released v 2018	June 4, 2018	Approved by GA

Question #1 (1 Point)

Which one of the following is the BEST description of a test condition?

- a) An attribute of a component or system specified or implied by requirements documentation.
- b) An aspect of the test basis that is relevant to achieve specific test objectives.
- c) The capability of the software product to provide functions which meet stated and implied needs when the software is used under specified conditions.
- d) The percentage of all single condition outcomes that independently affect a decision outcome that have been exercised by a test case suite.

Select one option.

Question #2 (1 Point)

Which of the following statements is a valid objective for testing?

- a) To determine whether enough component tests were executed within system testing.
- b) To find as many failures as possible so that defects can be identified and corrected.
- c) To prove that all possible defects are identified.
- d) To prove that any remaining defects will not cause any failures.

Select one option.

Question #3 (1 Point)

Which of the following statements correctly describes the difference between testing and debugging?

- a) Testing identifies the source of defects; debugging analyzes the defects and proposes prevention activities.
- b) Testing shows failures caused by defects; debugging finds, analyzes, and removes the causes of failures in the software.
- c) Testing removes faults; debugging identifies the causes of failures.
- d) Testing prevents the causes of failures; debugging removes the failures.

Select one option.

Question #4 (1 Point)

Which one of the statements below describes a failure discovered during testing or in production?

- a) The product crashed when the user selected an option in a dialog box.
- b) The wrong version of one source code file was included in the build.
- c) The computation algorithm used the wrong input variables.
- d) The developer misinterpreted the requirement for the algorithm.

Select one option.

Question #5 (1 Point)

Which of the following statements CORRECTLY describes one of the seven key principles of software testing?

- a) By using automated testing it is possible to test everything.
- b) With sufficient effort and tool support, exhaustive testing is feasible for all software.
- c) It is impossible to test all input and precondition combinations in a system.
- d) The purpose of testing is to prove the absence of defects.

Select one option.

Question #6 (1 Point)

In what way can testing be part of Quality Assurance?

- a) It ensures that requirements are detailed enough.
- b) It reduces the level of risk to the quality of the system.
- c) It ensures that standards in the organization are followed.
- d) It measures the quality of software in terms of number of executed test cases.

Select one option.

Question #7 (1 Point)

Which of the below tasks is performed during the test analysis activity of the ISTQB Test Process?

- a) Identifying any required infrastructure and tools.
- b) Creating test suites from test procedures.
- c) Analyzing lessons learned for process improvement.
- d) Evaluating the test basis for testability.

Select one option.

Question #8 (1 Point)

Differentiate the following test work products (1-4) by mapping them to the right description (A-D).

- 1. Test suite.
 - 2. Test case.
 - 3. Test script.
 - 4. Test charter.
-
- A. A group of test scripts or test execution schedule.
 - B. A set of instructions for the automated execution of test procedures.
 - C. Contains expected results.
 - D. An event that could be verified.
-
- a) 1A, 2C, 3B, 4D.
 - b) 1D, 2B, 3A, 4C.
 - c) 1A, 2C, 3D, 4B.
 - d) 1D, 2C, 3B, 4A.

Select one option.

Question #9 (1 Point)

How can white-box testing be applied during acceptance testing?

- a) To check if large volumes of data can be transferred between integrated systems.
- b) To check if all code statements and code decision paths have been executed.
- c) To check if all work process flows have been covered.
- d) To cover all web page navigations.

Select one option.

Question #10 (1 Point)

Which of the following statements comparing component testing and system testing is TRUE?

- a) Component testing verifies the functionality of software modules, program objects, and classes that are separately testable, whereas system testing verifies interfaces between components and interactions between different parts of the system.
- b) Test cases for component testing are usually derived from component specifications, design specifications, or data models, whereas test cases for system testing are usually derived from requirement specifications, functional specifications, or use cases.
- c) Component testing only focuses on functional characteristics, whereas system testing focuses on functional and non-functional characteristics.
- d) Component testing is the responsibility of the testers, whereas system testing typically is the responsibility of the users of the system.

Select one option.

Question #11 (1 Point)

Which one of the following is TRUE?

- a) The purpose of regression testing is to check if the correction has been successfully implemented, while the purpose of confirmation testing is to confirm that the correction has no side effects.
- b) The purpose of regression testing is to detect unintended side effects, while the purpose of confirmation testing is to check if the system is still working in a new environment.
- c) The purpose of regression testing is to detect unintended side effects, while the purpose of confirmation testing is to check if the original defect has been fixed.
- d) The purpose of regression testing is to check if the new functionality is working, while the purpose of confirmation testing is to check if the originally defect has been fixed.

Select one option.

Question #12 (1 Point)

Which one of the following is the BEST definition of an incremental development model?

- a) Defining requirements, designing software and testing are done in a series with added pieces.
- b) A phase in the development process should begin when the previous phase is complete.
- c) Testing is viewed as a separate phase which takes place after development has been completed.
- d) Testing is added to development as an increment.

Select one option.

Question #13 (1 Point)

Which of the following should **NOT** be a trigger for maintenance testing?

- a) Decision to test the maintainability of the software.
- b) Decision to test the system after migration to a new operating platform.
- c) Decision to test if archived data is possible to be retrieved.
- d) Decision to test after “hot fixes”.

Select one option.

Question #14 (1 Point)

Which of the following options are roles in a formal review?

- a) Developer, Moderator, Review leader, Reviewer, Tester.
- b) Author, Moderator, Manager, Reviewer, Developer.
- c) Author, Manager, Review leader, Reviewer, Designer.
- d) Author, Moderator, Review leader, Reviewer, Scribe.

Select one option.

Question #15 (1 Point)

Which of the following describes the main activities of a formal review?

- a) Initiation, backtracking, individual review, issue communication and analysis, rework, follow-up.
- b) Planning, individual review, issue communication and analysis, rework, closure, follow-up.
- c) Planning, initiate review, individual review, issue communication and analysis, fixing and reporting.
- d) Individual review, review meeting, rework, closure, follow-up, root cause analysis.

Select one option.

Question #16 (1 Point)

Which of the review types below is the BEST option to choose when the review must follow a formal process based on rules and checklists?

- a) Informal Review.
- b) Technical Review.
- c) Inspection.
- d) Walkthrough.

Select one option.

Question #17 (1 Point)

Which TWO of the following statements about static testing are MOST true?

- a) A cheap way to detect and remove defects.
- b) It makes dynamic testing less challenging.
- c) Early validation of user requirements.
- d) It makes it possible to find run-time problems early in the lifecycle.
- e) When testing safety-critical system, static testing has less value because dynamic testing finds the defects better.

Select two options.

Question #18 (1 Point)

The design of a newspaper subscriptions system is being reviewed. The expected system users are:

- Subscribers
- Technical support team
- Billing department
- Database administrator

Each type of user logs into the system through a different login interface (e.g. subscribers login via a web page; technical support via an application).

Different reviewers were requested to review the system's login flow from the perspective of the above user categories.

Which of the following review comments is MOST LIKELY to have been made by all reviewers?

- a) The login page on the web is cluttered with too much advertisement space. As a result, it is hard to find the "forgot password?" link.
- b) The login to access the billing information should also allow access to subscribers' information and not force a second login session.
- c) After logging-in to the database application, there is no log-out function.
- d) The log in flow is un-intuitive since it requires entering the password first, before the user name can be keyed-in.

Select one option.

Question #19 (1 Point)

What is checklist-based testing?

- a) A test technique in which tests are derived based on the tester's knowledge of past failures, or general knowledge of failure modes.
- b) Procedure to derive and/or select test cases based on an analysis of the specification, either functional or non-functional, of a component or system without reference to its internal structure.
- c) An experience-based test technique whereby the experienced tester uses a high-level list of items to be noted, checked, or remembered, or a set of rules or criteria against which a product has to be verified.
- d) An approach to testing where the tester dynamically designs and executes tests based on their knowledge, exploration of the test item and the results of previous tests.

Select one option.

Question #20 (1 Point)

Which one of the following options is categorized as a black-box test technique?

- a) Techniques based on analysis of the architecture.
- b) Techniques checking that the test object is working according to the technical design.
- c) Techniques based on the expected use of the software.
- d) Techniques based on formal requirements.

Select one option

Question #21 (1 Point)

The following statement refers to decision coverage:

“When the code contains only a single ‘if’ statement and no loops or CASE statements, any single test case we run will result in 50% decision coverage.”

Which of the following sentences is correct?

- a) The sentence is true. Any single test case provides 100% statement coverage and therefore 50% decision coverage.
- b) The sentence is true. Any single test case would cause the outcome of the “if” statement to be either true or false.
- c) The sentence is false. A single test case can only guarantee 25% decision coverage in this case.
- d) The sentence is false. The statement is too broad. It may be correct or not, depending on the tested software.

Select one option.

Question #22 (1 Point)

Which one of the following is the BEST description of statement coverage?

- a) It is a metric which is used to calculate and measure the percentage of test cases that have been executed.
- b) It is a metric, which is used to calculate and measure the percentage of statements in the source code which have been executed.
- c) It is a metric, which is used to calculate and measure the number of statements in the source code which have been executed by test cases that are passed.
- d) It is a metric that give a true/false confirmation if all statements are covered or not.

Select one option.

Question #23 (1 Point)

Which TWO of the following statements about the relationship between statement coverage and decision coverage are true?

- a) Decision coverage is stronger than statement coverage.
- b) Statement coverage is stronger than decision coverage.
- c) 100% statement coverage guarantees 100% decision coverage.
- d) 100% decision coverage guarantees 100% statement coverage.
- e) Decision coverage can never reach 100%.

Select two options.

Question #24 (1 Point)

Which of the following situations is NOT suited for using exploratory testing?

- a) When there is time pressure, and/or the requirements are incomplete or inapplicable
- b) When the system is developed and tested incrementally.
- c) When only new and inexperienced testers are available.
- d) When the main part of the application can be tested only at the customer's site.

Select one option.

Question #25 (1 Point)

An employee's bonus is to be calculated. It cannot be negative, but it can be calculated down to zero. The bonus is based on the length of employment.

The categories are: less than or equal to 2 years, more than 2 years but less than 5 years, 5 or more years, but less than 10 years, 10 years or longer.

What is the minimum number of test cases required to cover all valid equivalence partitions for calculating the bonus?

- a) 3.
- b) 5.
- c) 2.
- d) 4.

Select one option.

Question #26 (1 Point)

A speed control and reporting system has the following characteristics:

If you drive 50 km/h or less, nothing will happen.

If you drive faster than 50 km/h, but 55 km/h or less, you will be warned.

If you drive faster than 55 km/h but not more than 60 km/h, you will be fined.

If you drive faster than 60 km/h, your driving license will be suspended.

Which would be the most likely set of values (km/h) identified by two-point boundary value analysis?

- a) 0, 49, 50, 54, 59, 60.
- b) 50, 55, 60.
- c) 49, 50, 54, 55, 60, 62.
- d) 50, 51, 55, 56, 60, 61.

Select one option.

Question #27 (1 Point)

A company's employees are paid bonuses if they work more than a year in the company and achieve individually agreed targets.

The following decision table has been designed to test the logic for paying bonuses:

		T1	T2	T3	T4	T5	T6	T7	T8
Conditions									
Cond1	Employment for more than 1 year?	YES	NO	YES	NO	YES	NO	YES	NO
Cond2	Agreed target?	NO	NO	YES	YES	NO	NO	YES	YES
Cond3	Achieved target?	NO	NO	NO	NO	YES	YES	YES	YES
Action									
	Bonus payment?	NO	NO	NO	NO	NO	NO	YES	NO

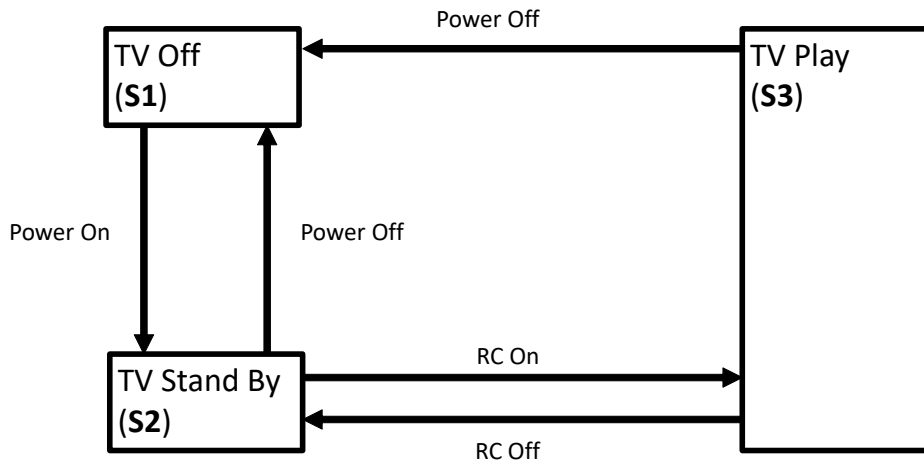
Which test cases could be eliminated in the above decision table because the test case wouldn't occur in a real situation?

- a) T1 and T2.
- b) T3 and T4.
- c) T7 and T8.
- d) T5 and T6.

Select one option.

Question #28 (1 Point)

Which of the following statements about the given state transition diagram and table of test cases is TRUE?



Test Case	1	2	3	4	5
Start State	S1	S2	S2	S3	S3
Input	Power On	Power Off	RC On	RC Off	Power Off
Expected Final State	S2	S1	S3	S2	S1

- a) The given test cases can be used to cover both valid and invalid transitions in the state transition diagram.
- b) The given test cases represent all possible valid transitions in the state transition diagram.
- c) The given test cases represent only some of the valid transitions in the state transition diagram.
- d) The given test cases represent sequential pairs of transitions in the state transition diagram.

Select one option.

Question #29 (1 Point)

A video application has the following requirement:

The application shall allow playing a video on the following display sizes:

1. 640x480.
2. 1280x720.
3. 1600x1200.
4. 1920x1080.

Which of the following list of test cases is a result of applying the Equivalence Partitioning test technique to test this requirement?

- a) Verify that the application can play a video on a display of size 1920x1080 (1 test).
- b) Verify that the application can play a video on a display of size 640x480 and 1920x1080 (2 tests).
- c) Verify that the application can play a video on each of the display sizes in the requirement (4 tests).
- d) Verify that the application can play a video on any one of the display sizes in the requirement (1 test).

Select one option.

Question #30 (1 Point)

Which of the following BEST describes how tasks are divided between the test manager and the tester?

- a) The test manager plans testing activities and chooses the standards to be followed, while the tester chooses the tools and controls to be used.
- b) The test manager plans, organizes, and controls the testing activities, while the tester specifies and executes tests.
- c) The test manager plans, monitors, and controls the testing activities, while the tester designs tests and decides about automation frameworks.
- d) The test manager plans and organizes the testing and specifies the test cases, while the tester prioritizes and executes the tests.

Select one option.

Question #31 (1 Point)

Which of the following metrics would be MOST useful to monitor during test execution?

- a) Percentage of executed test cases.
- b) Percentage of work done in test environment preparation.
- c) Percentage of planned test cases prepared.
- d) Percentage of work done in test case preparation.

Select one option.

Question #32 (1 Point)

Which TWO of the following can affect and be part of test planning?

- a) Budget limitations.
- b) Test objectives.
- c) Test log.
- d) Failure rate.
- e) Use cases.

Select two options.

Question #33 (1 Point)

Which of the following are typical exit criteria from testing?

- a) Reliability measures, degree of tester's independence, and product completeness.
- b) Reliability measures, test cost, availability of testable code, time to market, and product completeness.
- c) Reliability measures, test cost, schedule and unresolved defects.
- d) Time to market, residual defects, tester qualification, degree of tester independence and test cost.

Select one option.

Question #34 (1 Point)

Which one of the following is **NOT** included in a test summary report?

- a) Defining pass/fail criteria and objectives of testing.
- b) Deviations from the test approach.
- c) Measurements of actual progress against exit criteria.
- d) Evaluation of the quality of the test item.

Select one option.

Question #35 (1 Point)

There are several test strategies. Which strategy (1-4) is characterized by which description (A-D) below?

- 1. Analytical.
 - 2. Methodical.
 - 3. Model-based.
 - 4. Consultative.
-
- A. Tests are based on a state diagram of a required aspect of the product
 - B. Tests are designed and prioritized based on the level of risk.
 - C. Systematic use of some predefined set of test conditions.
 - D. Tests are chosen based on the views of business domain experts.
-
- a) 1D, 2B, 3A, 4C.
 - b) 1A, 2C, 3D, 4B.
 - c) 1D, 2C, 3B, 4A.
 - d) 1B, 2C, 3A, 4D.

Select one option.

Question #36 (1 Point)

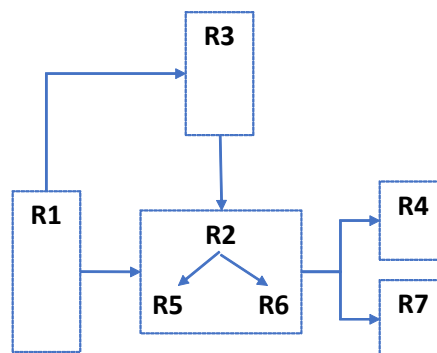
Which one of the following is the characteristic of a metrics-based approach for test estimation?

- a) Budget which was used by a previous similar test project.
- b) Overall experience collected in interviews with test managers.
- c) Overall estimate agreed with the developers.
- d) Average of calculations collected from business experts.

Select one option.

Question #37 (1 Point)

The following diagram shows the logical dependencies between a set of seven requirements, where a dependency is shown by an arrow. For example, "R1 -> R3" means that R3 depends on R1.



Which one of the following options structures the test execution schedule according to the requirement dependencies?

- a) R1 → R3 → R1 → R2 → R5 → R6 → R4 → R7.
- b) R1 → R3 → R2 → R5 → R2 → R6 → R4 → R7.
- c) R1 → R3 → R2 → R5 → R6 → R4 → R7.
- d) R1 → R2 → R5 → R6 → R3 → R4 → R7.

Select one option.

Question #38 (1 Point)

You are testing a new version of software for a coffee machine. The machine can prepare different types of coffee based on four categories. i.e., coffee size, sugar, milk, and syrup. The criteria are as follows:

- Coffee size (small, medium, large),
- Sugar (none, 1 unit, 2 units, 3 units, 4 units),
- Milk (yes or no),
- Coffee flavor syrup (no syrup, caramel, hazelnut, vanilla).

Now you are writing a defect report with the following information:

Title: Low coffee temperature.

Short summary: When you select coffee with milk, the time for preparing coffee is too long and the temperature of the beverage is too low (less than 40 °C)

Expected result: The temperature of coffee should be standard (about 75 °C).

Degree of risk: Medium

Priority: Normal

What valuable information is MOST likely to be omitted in the above defect report?

- a) The actual test result.
- b) Data identifying the tested coffee machine.
- c) Status of the defect.
- d) Ideas for improving the test case.

Select one option.

Question #39 (1 Point)

Which one of the following is MOST likely to be a benefit of test execution tools?

- a) It is easy to create regression tests.
- b) It is easy to maintain version control of test assets.
- c) It is easy to design tests for security testing.
- d) It is easy to run regression tests.

Select one option.

Question #40 (1 Point)

Which test tool is characterized by the classification below?

1. Tool support for management of testing and testware.
 2. Tool support for static testing.
 3. Tool support for test execution and logging.
 4. Tool support for performance measurement and dynamic analysis.
-
- A. Coverage tools.
 - B. Configuration management tools.
 - C. Review tools.
 - D. Monitoring tools.
-
- a) 1A, 2B, 3D, 4C.
 - b) 1B, 2C, 3D, 4A.
 - c) 1A, 2C, 3D, 4B.
 - d) 1B, 2C, 3A, 4D.

Select one option.